



ATLAS 1M
SOLAR STREET LIGHT

INTRODUCTION

Product specifications

01 FRONT COVER

02 CATALOG

03 MAIN
ADVANTAGES

04 SPECIFICATIONS

05 EXPLODED VIEW

06 EXPLODED
VIEW OF
BATTERY PACK

07 OPTICAL
FIGURE

08 DIMENTION
FIGURE

09 LIGHT POLE
DIAGRAM

10 LIGHT POLE
DIAGRAM

11 MORE DETAILS

12 CORE
TECHNOLOGY

13 INSTALLATION
INSTRUCTIONS

14 PACKAGE
DETAIL

15 APPLICATION



10 CLOUDY DAYS STILL LIGHTING

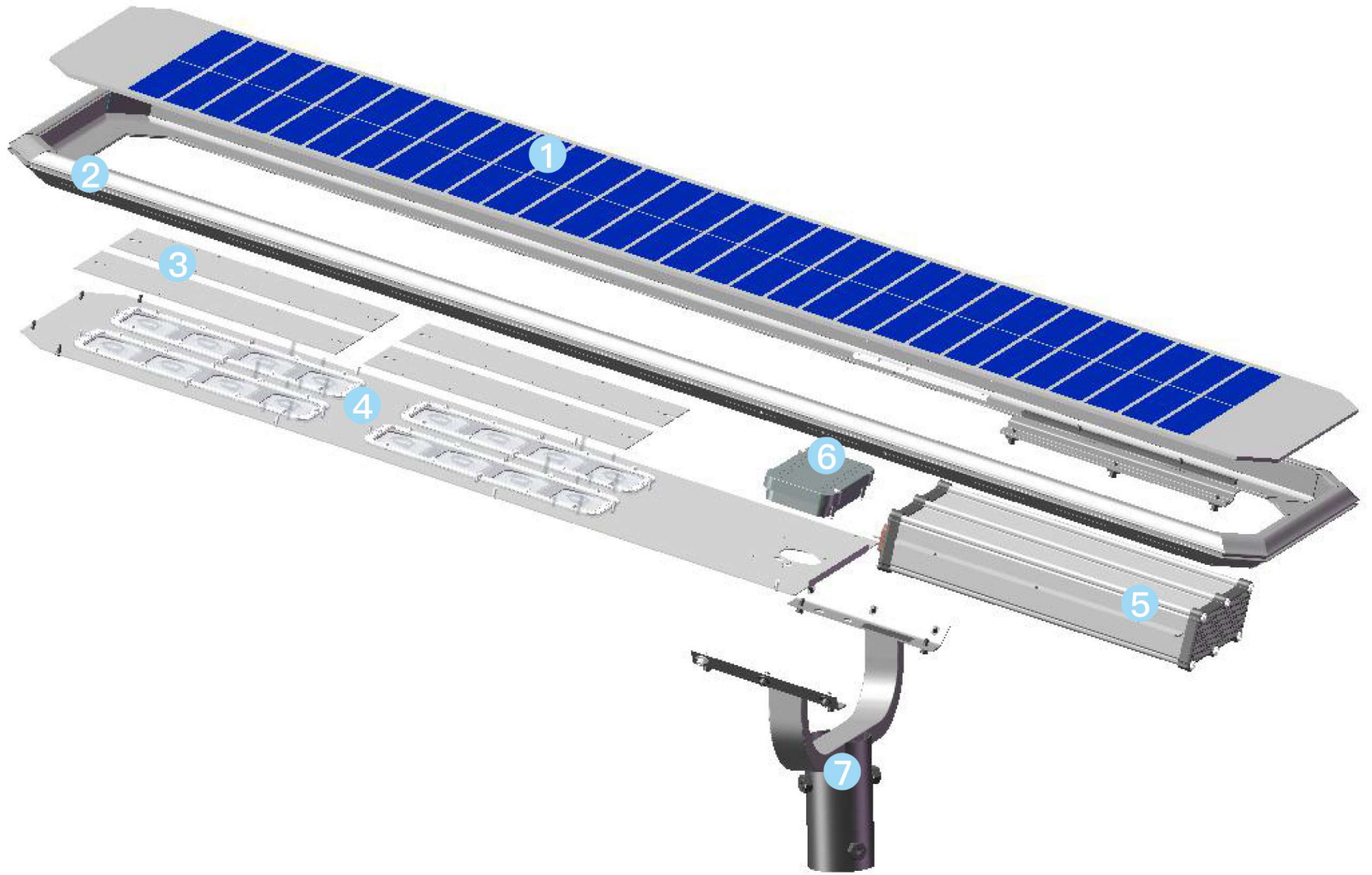
BMS technology speeds up the battery charging over 30%;
Never stop lighting with New HI-technology-ALS 2.3 Up to 10 rainy or cloudy days
Powerful Lithium battery with 1500 cycles, widely used in new-energy car;
4 Intelligent Core Technology broke the bottleneck of short working time of solar lights in rainy/cloudy days, and realized 100% lighting throughout the year
Each part can be replaced on the pole directly, save maintenance costs

ATLAS 1M SERIES



SOLAR LIGHT I SPECIFICATIONS

Item : ATLAS 1M	LLSL20	LLSL30	LLSL40	LLSL50	LLSL60	LLSL70	LLSL80	LLSL90	LLSL100
Fixture Power	20W	30W	40W	50W	60W	70W	80W	90W	100W
Solar panel									
Power	25W	37.5W	37.5W	60W	60W	60W	75W	75W	75W
Li-ion battery									
Capacity	14.8V 153.92WH 2.6AH/PCS S	14.8V 192.4WH 2.6AH/PCS	14.8V 269.36WH 2.6AH/PCS	14.8V 346.32WH 2.6AH/PCS	14.8V 423.28WH 2.6AH/PCS	14.8V 500.24WH 2.6AH/PCS	14.8V 577.2WH 2.6AH/PCS	14.8V 615.68WH 2.6AH/PCS	14.8V 692.64WH 2.6AH/PCS
Charging/Discharging Temp	0~45°C / -20~60°C								
Charging Time	6H	5H	7H	6H	7H	9H	8H	9H	10H
LED (OSRAM)	3030 20pcs ;	3030 40pcs	3030 40pcs	3030 80pcs	3030 80pcs	3030 80pcs	3030 160pcs	3030 160pcs	3030 160pcs
Color Temp	5700K , Ra 70+	5700K , Ra 70+	5700K , Ra 70+	5700K , Ra 70+	5700K , Ra 70+	5700K , Ra 70+	5700K , Ra 70+	5700K , Ra 70+	5700K , Ra 70+
Efficiency	190lm/W	190lm/W	190lm/W	190lm/W	190lm/W	190lm/W	190lm/W	190lm/W	190lm/W
Performance									
Lighting Time in Rainyday	>10 Days								
Control Mode	Button Switch , ON/OFF Long Press 1.5s								
Lighting Mode	M1 : 30%+PIR / M2 : 100%(5H)+25%(PIR)(5H)+70% / M3:70% Till dawn								
Mode Indication	M1: red light, M2: green light, M3 orange light (press the button to switch between M1 (red) /M2 (green) /M3 (orange); 5S after mode indicates is power indicator								
Capacity Indication	Green : ≥70% ; Orange : 30%~70% ; Red : < 30%								
PIR	120° , >5m								
Core technology	ALS 2.3 / TCS 1.0								
Solar Panel Autoclean	-								
IP/IK Class	IP65 / IK10								
Install Height / Distance	3m /10m	3m / 15m	4m / 15m	5m / 15m	6m / 22m	7m / 28m	8m / 28m	9m / 32m	10m / 32m



01.

Solar Panel



02.

Product Shell



03.

Led Plate



04.

Optical Lens



05.

Battery Pack



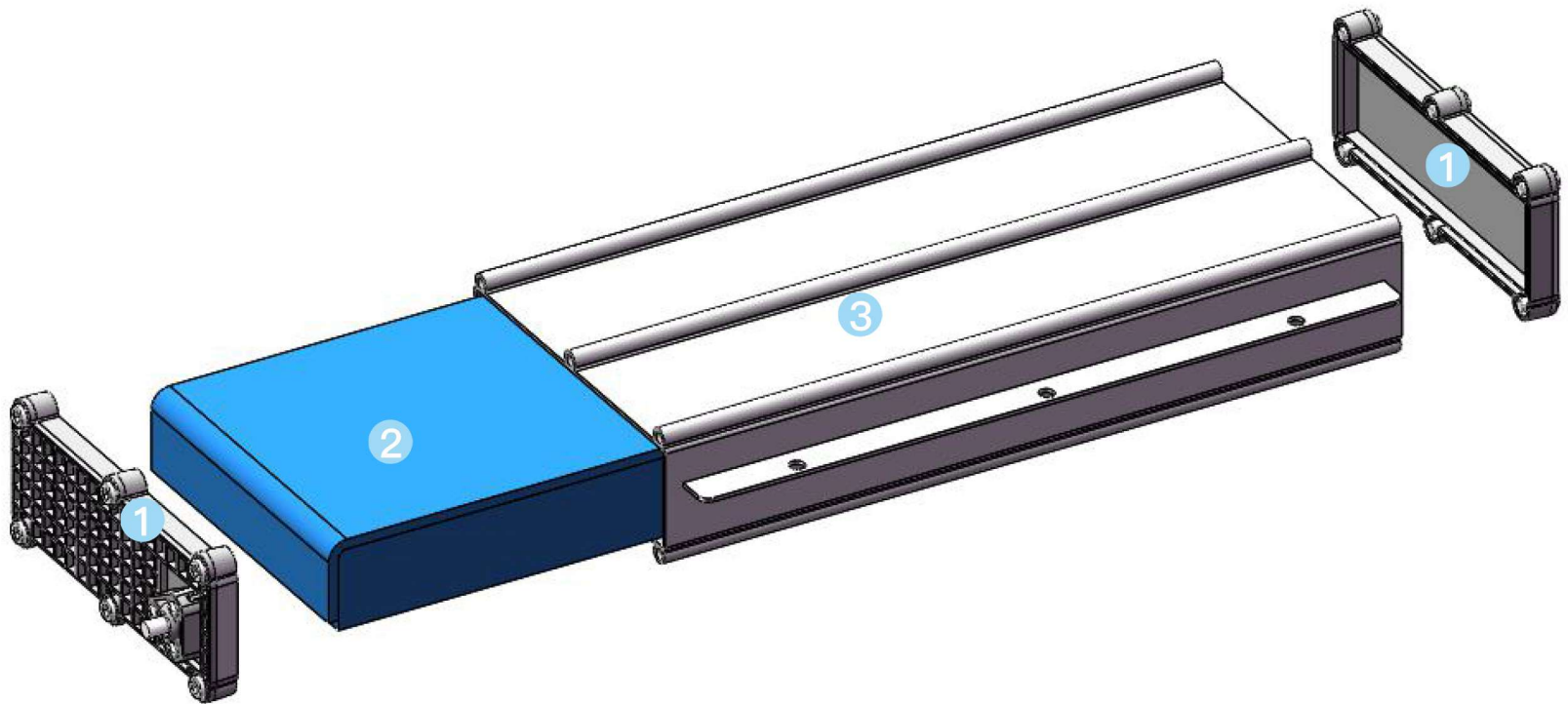
06.

Control Module



07.

Bracket



Shell



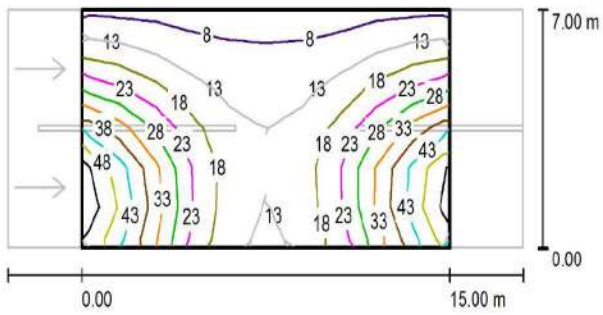
Li-ion Battery Pack



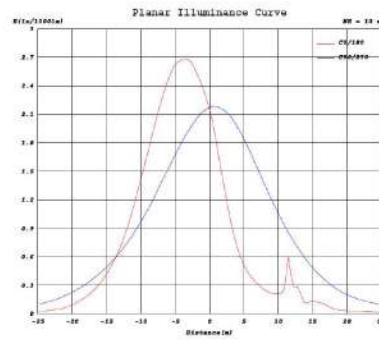
Case

LLSL-20M/30M/40M

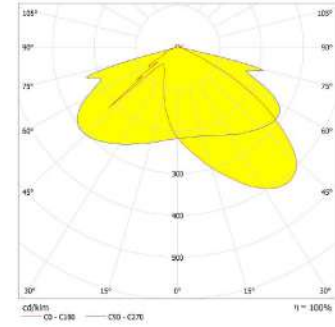
Road Simulated Diagram



Illumination Curve

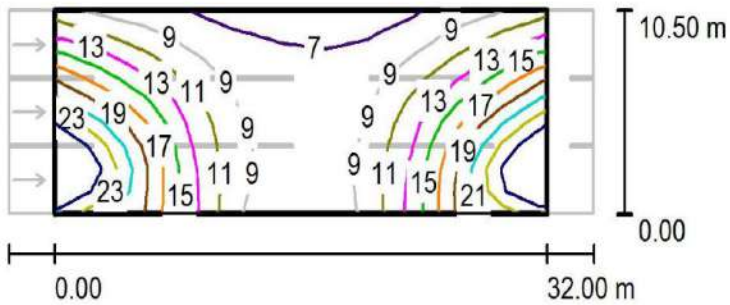


Luminance Distribution

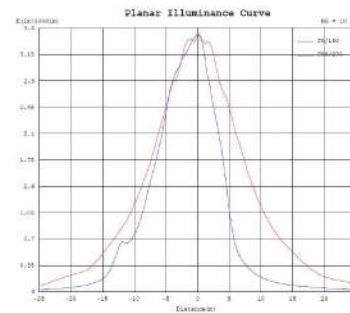


LLSL-50M/60M/70M/80M/90M/100M

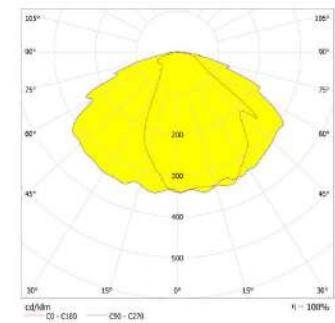
Road Simulated Diagram



Illumination Curve

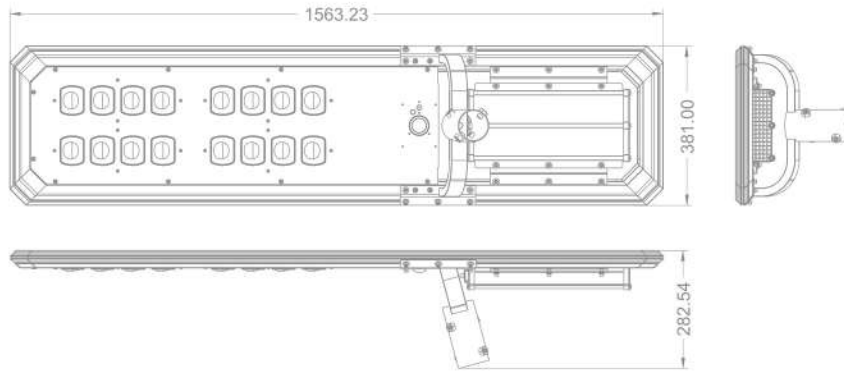


Luminance Distribution

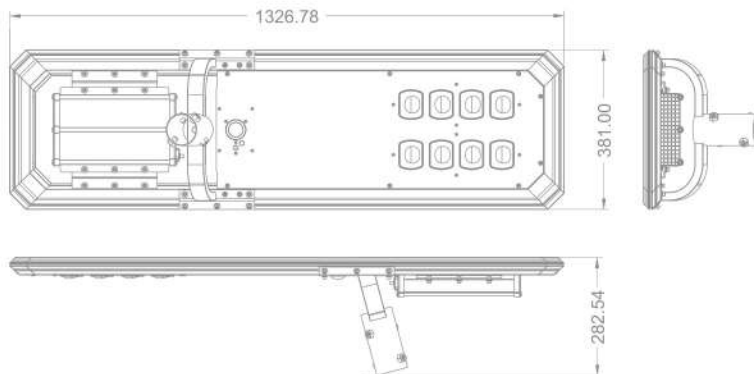


SOLAR LIGHT I DIMENTION FIGURE

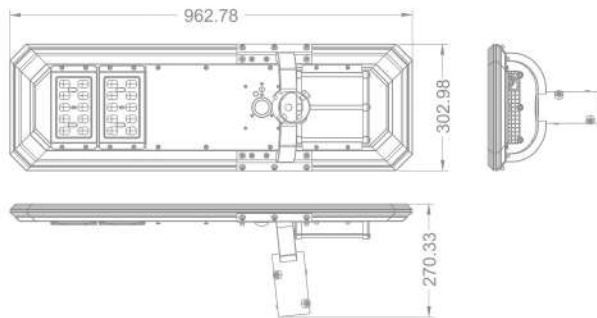
LLSL-80M/90M/100M



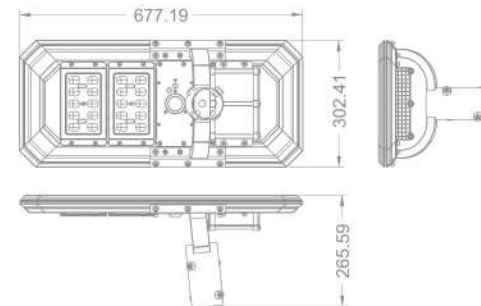
LLSL-50M/60M/70M



LLSL-30M/40M



LLSL-20M

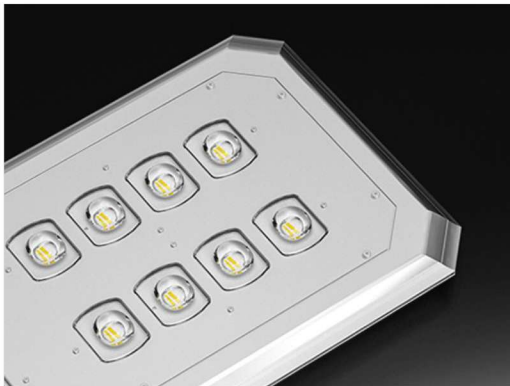
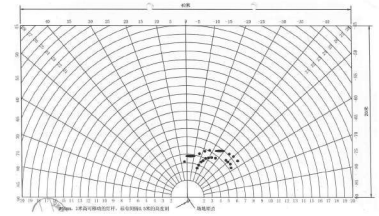




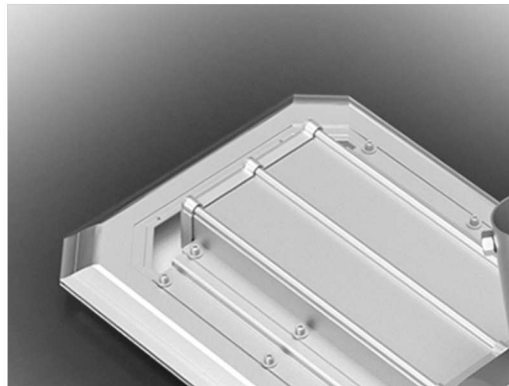
SOLAR LIGHT I LIGHT POLE DIAGRAM



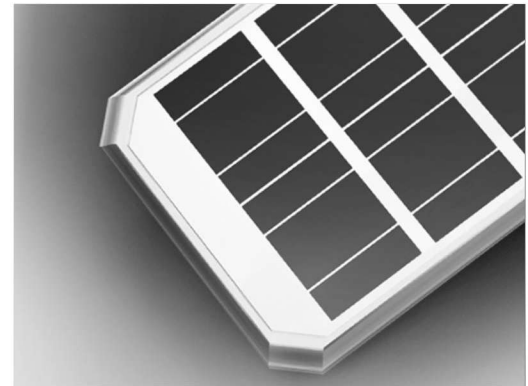
Advantage in every detail



High Lumen LEDs
190lm/W



Battery Pack
Easy to Maintain



Monocrystalline
Solar Charging Efficiency :>21%



High Lumen LEDs
190lm/W



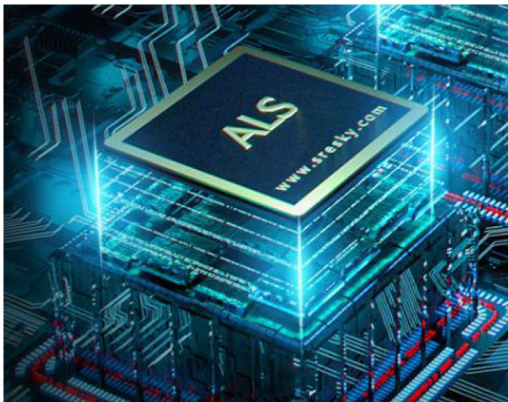
Bracket
Double Protection for Rust-Proof



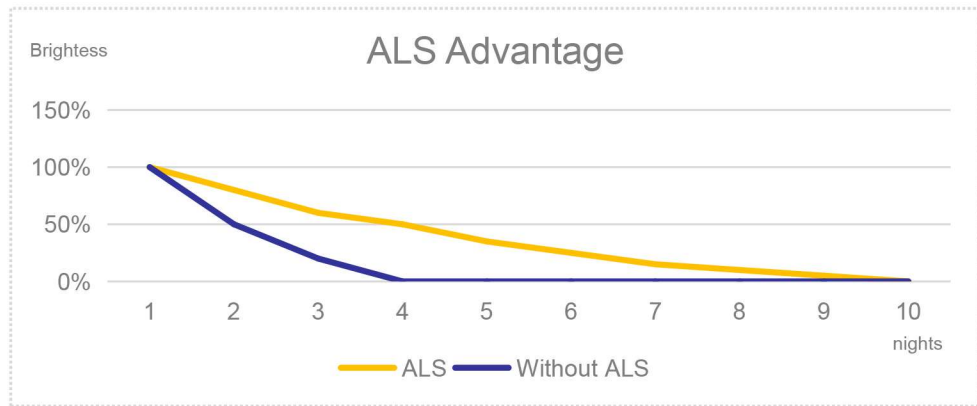
High Sensitivity PIR Sensor



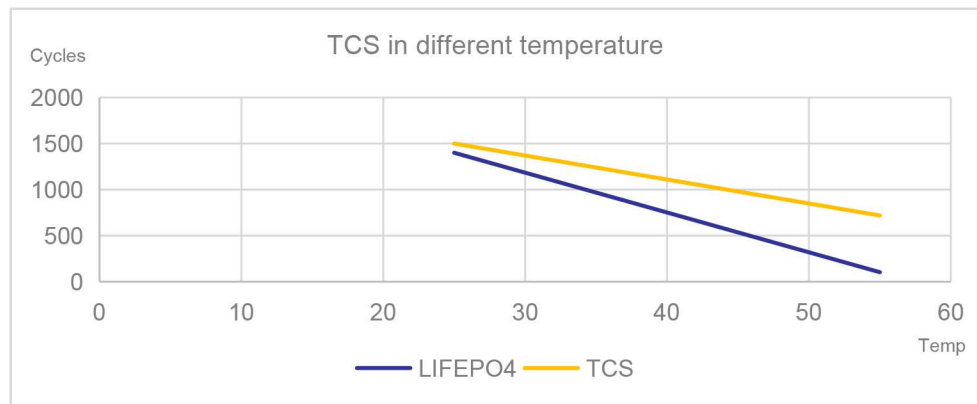
A Great Company should always pay the highest attention to the every detail design , and the craftsmanship spirit should be filled in the whole design process and mass production.



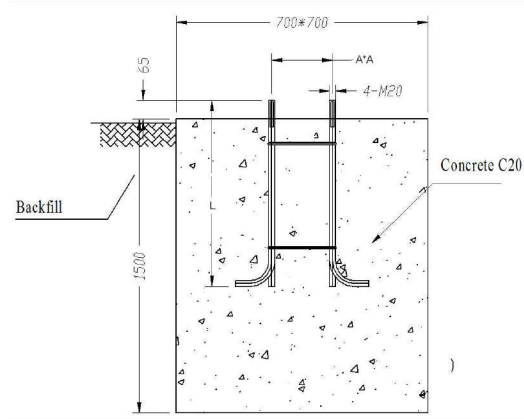
ADVANTAGE OF ALS



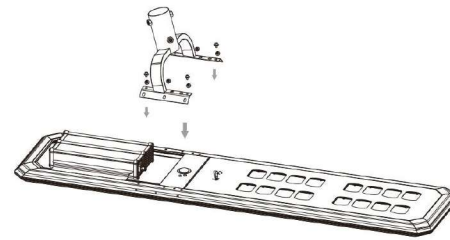
ADVANTAGE OF TCS



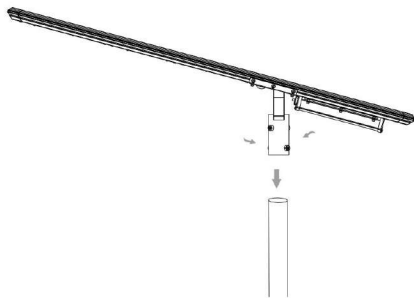
- 1 Dig a hole according to the size of the foundation cage, put the foundation cage into the hole and fix it with concrete C20.



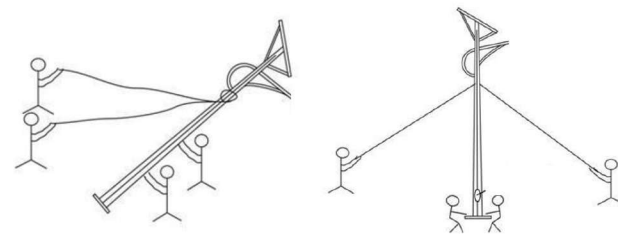
- 2 Use the supplied screws to fix the bracket on the lamp.

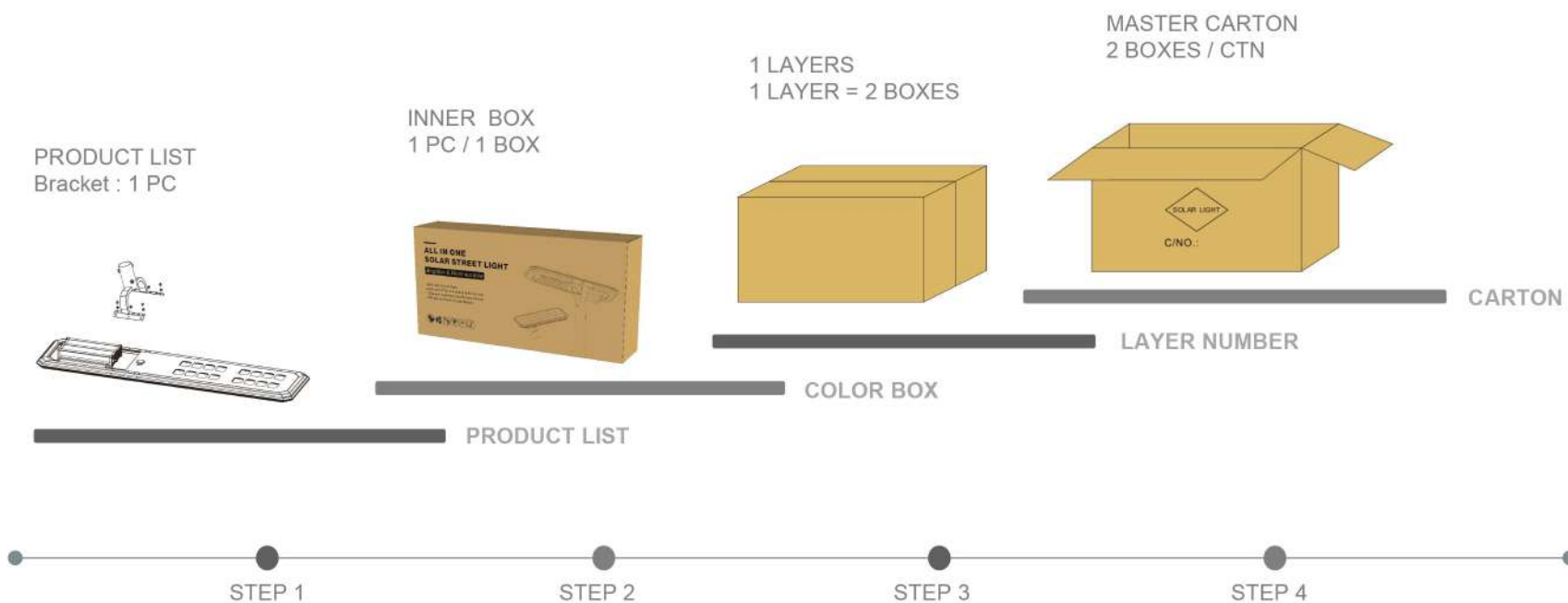


- 3 Use the supplied screws to fix the lamp on the post.



- 4 Lift the lamp pole by the person or machine, align the bottom flange of the lamp pole with the foundation cage, and then fix the lamp pole with screws.





MODEL NO.	PACKING METHOD	PCS/CTN	QTY(PCS)	CTN QTY	CARTON SIZE(CM)	N.W.(KG)	G.W.(KG)
LLSL-20M	Solar Light	2	2	1	77.5*32.9*39.8	12.5	13.5
	Bracket	2	2	1	33.0*21.5*28.0	2.3	3
LLSL-30M/40M	Solar Light	2	2	1	106.0*32.9*39.8	14.5	18.7
	Bracket	2	2	1	33.0*21.5*28.0	2.3	2.9
LLSL-50M/60M/70M	Solar Light	2	2	1	144*37*49.5	28.8	30.8
	Bracket	2	2	1	41*21*28	2.9	3.3
LLSL-80M/90/100M	Solar Light	2	2	1	167.5*38.0*49.5	38	40
	Bracket	2	2	1	41*21*28	2.9	3.3

Net weight and gross weight are for reference only

S / O / L / A / R / L / I / G / H / T



THANKS
VERY
MUCH