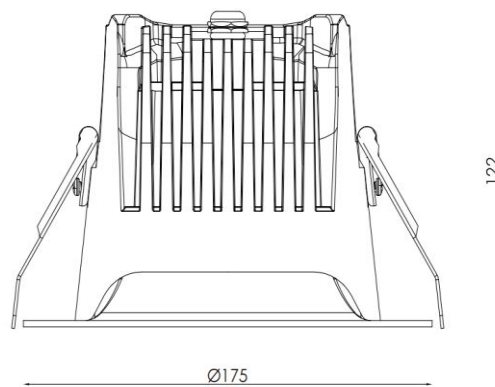




PRODUCT DATASHEET

LED DOWNLIGHT 18-40 W 3000-6500 K

LUMBIENT LED Downlight Outdoor Waterproof



AREAS OF APPLICATION

- Showrooms
- Corridors
- Lobbies
- Bedrooms
- Living Rooms

TECHNICAL DATA

Electrical data

Nominal wattage	18 W	40 W
Nominal voltage	220-240 VAC	
Power Factor	0.9	
Mains Frequency	50 Hz	

Photometrical data

Color temperature	3000 K – 6500 K	
Luminous flux	1600 – 1800 lm	3,300 – 4,000 lm
Standard deviation of color matching	≤ 3 sdc _m	
Light color (designation)	Warm White – Cool White - Day Light	
Color rendering index Ra	>90	
LED Chip Brand	CREE (Made in USA)	

Light technical data

Beam angle	24-60°
------------	--------

Dimensions

Shape	Round	
Dimensions	$\varnothing 85 \times H105$ mm	$\varnothing 175 \times H122$ mm
Cut Out	$\varnothing 75$	$\varnothing 145$
Recessed Depth	86	118 mm

Colors & materials

Body material	Die-cast aluminum body
Housing color	White-Black
Product color	White-Black

Temperature & operating conditions

Ambient temperature range	-20°C ~ +45°C
---------------------------	---------------

Lifespan

Lifespan L70 at 25 °C	50,000 h
Number of switching cycles	100,000

Additional product data

Mounting type	Recessed
Mounting location	Ceiling

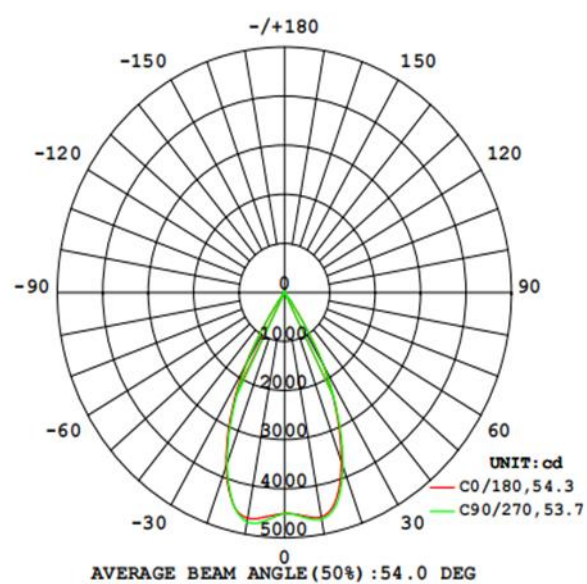
Capabilities

Dimmable	No
Type of connection	L/N
Technology	LED COB

Certificates & standards

Protection class	II
Type of protection	IP 65
Standards	CE/RoHS/IES

LUMINOUS INTENSITY DISTRIBUTION DIAGRAM



Flux out: 2594 lm

