

# PRODUCT DATASHEET

## LED POWER SUPPLY 100W 24V

Ilumié Power Supply IL-NW-100-24V



### FEATURES:

- Constant Voltage Design
- AC Input Voltage Range: 100-240 VAC
- Built-in Active PFC Function
- Protections: Short Circuit, Overload, & Over Current
- Cooling By Convection or Forced Air
- 100% Full Load Burn-in Test
- High Reliability
- IP20 Protection Grade

### TECHNICAL DATA

#### Output

Rated DC Voltage	24V±0.5V
Current Range	0-4.2A
Rated Power	100W
Ripple & Noise	≤240mVp-p
Setup Rise Time	50ms/230VAC
Hold Up Time	20ms/230VAC

#### Input

Voltage Range	100-240VAC
Frequency Range	50-60Hz
Efficiency	≥ 86%
Power Factor	≥ 0.95
THD	THD≤10%
Leakage Current	0.25mA/230VAC

#### Protection

Over Current	105%-130%
Protection Type	Hiccup Mode
Short-circuit protection	Self-recovery

#### Environment

Working Temperature	-10°C-45°C
Storage Temperature	-40°C-80°C
Working Humidity	0-100%
Vibration	10-500Hz ,2G 10min/1cycle, period for 60min, each along X, Y, Z Axes
Temperature Coefficient	±0.03%/°C (0-50°C)

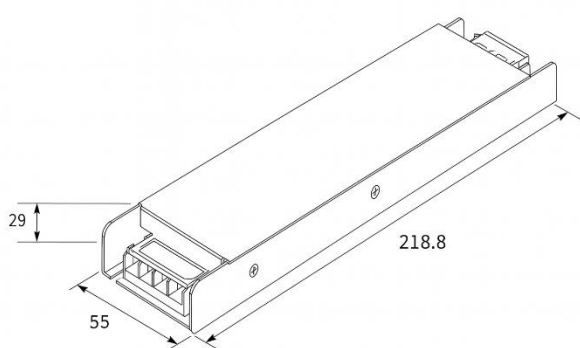
Safety & EMC

Safety Standards	Design refers to LVD EN61347-2-13:2006, EN61347-1:2008
Withstand Voltage	I/P-O/P:1.5KVAC, I/P-COVER:1.5KVAC, O/P-COVER:500VDC
Isolation Resistance	I/P-O/P:>100M Ohms/500VDC/25°C/70% RH

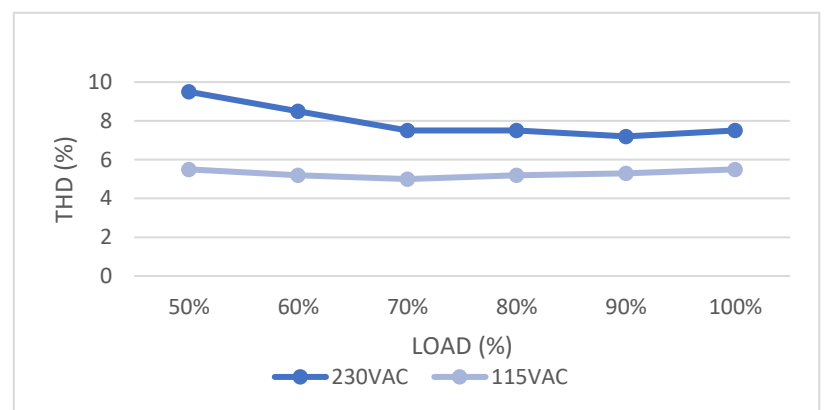
Others

MTBF	50,000 Hours (25°C)
Dimensions	218.8*55*29mm
Weight	480g
Packaging	35*32*28.5cm/100pcs

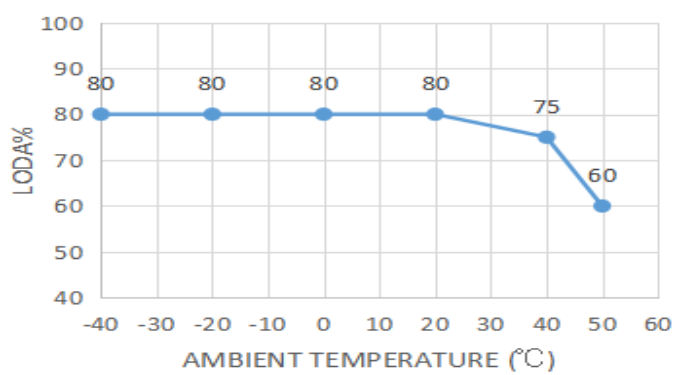
Dimensions



Total Harmonic Distortion (THD)



Derating Curve vs Ambient Temperature



Static Characteristics Curve (Load vs. Input Voltage)

